

VV SPOT-2

Specification sheet

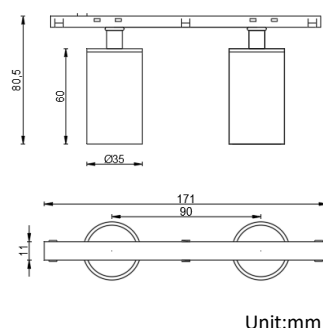
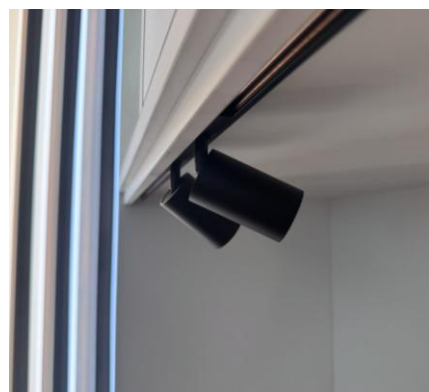


Spotlights

Indoor | Surface

48V DC | L80 B20 > 50000h | CE | III | RoHS Compliant | LM79 Tested | LM80 Tested | TM-30 Results

Dimension	H85.2mm - W35mm - L171
Chip	Bridgelux
Beam angle	15°/24°/36°
Kelvin	2700K-6500K(dynamic)
Bin/Step	3-step MacAdam ellipse
CRI	≥ 90
Tm30	Rf=94, Rg=100 @3500K
Lifetime	50,000 hours, L80, B20, 12hrs/day @25°C
Operating temp	Ta = -20 to 30°C (Tc max = 60°C)
IP rating	IP40
Finish	Black/Silver/White/Custom finish on request
Cover/lens	Lens
Mounting	Stucchi Micro track
Power feed	Hardwire tail or male/female connectors
Wire section	22AWG
Wire length	1000mm on power feed
Control	DALI DT8
Certification	CE
Fire rating	Wire - VM-1 Polymeric Comp. - V1
Warranty	3 years



PERFORMANCE DATA	@4000K
Power Consumption	2*6W
Supply voltage	48V DC
Luminous flux	2*350lm

PERFORMANCE DATA @4000K

R1	R2	R3	R4	R5	R6	R7	R8	R9	R10	R11	R12	R13	R14	R15
96	97	96	95	94	97	94	98	95	92	92	93	95	93	90

TRACK OPTION



PERFORMANCE DATA TRACK - CONNECTOR

Track

Max Amp	10 Ampere
Max length combined	4000mm

Adapter with inlet cable

Mounting	Magnet
Wire section/length	0.5mm ² (1000mm)